

AREA OF VALIDITY

This document is valid for PRY-CAM Home Master from version PCH-0001

TARGET USER

The operations described in this document must only be carried out by specialized technicians with the following qualifications:

- Training related to the installation and commissioning of electrical devices
- Training on electrical hazards and locally applicable safety regulations
- Knowledge of standards and directives on the electrical subject
- Knowledge and compliance with this document, including all safety warnings

SYMBOL LEGEND

	DANGER		Causes serious injury or death
	WARNING		It can cause serious injury or death
	ATTENTION		It can cause minor or moderate injuries
	NOTICE		It can cause damage to property
			Information
			Note

PRODUCT DESCRIPTION AND USAGE

The devices of the PRY-CAM Home family are part of a monitoring system for low voltage applications. The devices are designed to perform verification tests of the electrical system and to measure the electrical values at the point of electrical connection and make them available via the cloud.

This product does not constitute an active electricity meter within the meaning of the European Directive 2004/22 / EC (MID). It cannot be used as a counter for official billing. The data collected may differ from the data of the main energy meter used for the counts.

The PRY-CAM Home Master can only be installed indoors, and exclusively in the secondary distribution of the home, on the load side, after the electricity meter.

The device is to be used only in compliance with the indication in this documentation and any other usage is permitted.

DANGERS AND WARNINGS

The installation and use of PRY-CAM Home devices requires compliance with the warnings contained in this chapter.

To avoid damage to things and people, carefully read the following instructions and follow them at all times together with the standards and directives on electrical safety.

	DANGER	
Danger of death from electrocution		
Potentially lethal voltages are present in live components.		
<ul style="list-style-type: none"> • Switch off the voltage at the connection point and secure it against reactivation. • Before carrying out any work, disconnect the power supplies using an installed disconnect switch. • Make sure that all conductors to be connected are voltage-free. • Use the device only in dry environments and keep it away from moisture. • Install the device only in electrical cabinets and make sure that the connection fields for the external conductors and the neutral conductor are laid behind a cover or contact protection. • Unplug the device before cleaning and then use only a dry cloth. • Respect the minimum distances between the mains cable and live components or use suitable insulation. 		

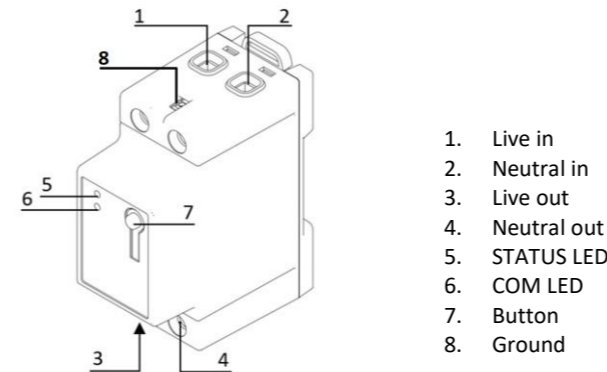
	WARNING	
Danger of fire due to dirty or oxidized contacts on undercurrent aluminium conductors		
The connection of aluminium conductors with dirty or oxidized contacts reduces the current carrying capacity of the undercurrent terminals, increasing the contact resistances. Components can overheat and catch fire as a result.		
<ul style="list-style-type: none"> • Clean the contacts, brush them, and treat them with an acid and alkaline substance (e.g. Vaseline or specific conductive paste). 		

	WARNING	
Danger of death from electrocution		
In case of missing overvoltage protection, Overvoltage (e.g. in the event of lightning) can be transmitted via the network cables inside the building and to other devices connected to the same network.		
<ul style="list-style-type: none"> • Make sure that all devices on the same network are integrated into the existing surge protector. • In case of external laying of network cables, it is necessary to ensure suitable protection from overvoltage at the point of passage between the external area and the network inside the building. 		

PACKAGE CONTENT

- 1 x PRY-CAM Home Master (PCH-0001)
- 2 x Prysmian cable section 6mm², length 30mm
- 1 x Cable section 0,5mm², length 1m
- 1 x Installation Instruction

PRODUCT DRAWING



TECHNICAL DATA

Nominal Voltage	230 V CA / 400 V CA
Frequency	50 Hz
Consumption	1.5 W
Max Current	43 A
Weight	180 gr
Dimension (L x H x W)	16 x 8 x 17.5 cm
Temperature	0°C to 40°C
Max Altitude	2000 m
Insulation class	II
Degree of protection	IP20

LED INTERFACE



STATUS LED

- **Green:** Good electrical connection
- **Blinking red:** Improperly connected (earth disconnected or phase-neutral reversed)



Communication LED

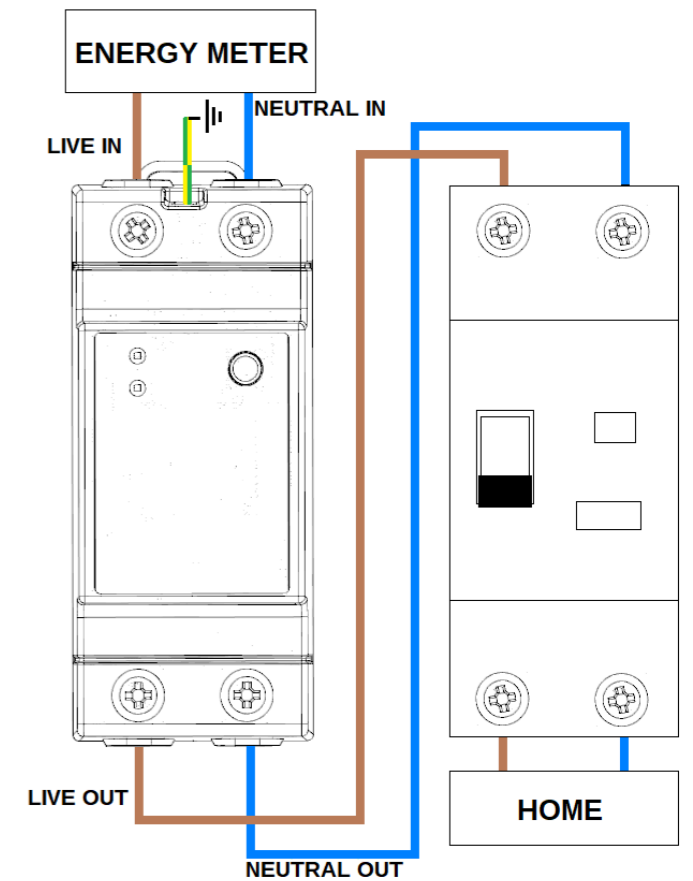
- **Green:** Wi-Fi Communication ready
- **Blinking orange:** NB-IoT communication ready
- **Blinking red:** Device not connected
- **Blinking violet:** Professional mode activated

MECHANICAL ASSEMBLY

Mount the device on the DIN rail. Hook the device anchoring teeth on the underside of the DIN rail and pull the upper tab of the device until the PRY-CAM Home Master is in place.

ELECTRICAL CONNECTION

Example of connection of the device to a low voltage electrical system.



Assembly sequence:

- Connect the live conductor L and the neutral conductor N to the device.
- Connect the earth conductor to the device;

DEVICE CONFIGURATION VIA APP

i	To correctly configure the PRY-CAM Home Master it is necessary to have a smartphone with internet connection and able to download the "PRY-CAM Home" APP from the market.
+	To take advantage of all the features of the PRY-CAM Home Master, the device must be installed in an area with stable Wi-Fi internet coverage. If a stable connection cannot be provided, the device will operate in reduced mode using the NB-IoT connection, if present.

Configuration sequence:

1. Check the completion of the "MECHANICAL ASSEMBLY" and "ELECTRICAL CONNECTION" steps.
2. Download the "PRY-CAM Home" APP from the market (App Store or Google Play).
3. Register new account following the registration procedure or log in.
4. Activate the Access Point by switching the device to Professional mode by pressing the button for 5 sec until the led blink violet.
5. Connect the smartphone to the WiFi connection generated by the device (eg PHOME-123456) from the phone settings.
6. In the dashboard, tap on "Add PRY-CAM Home".
7. Enter the data of the device, the contractual power of your system, the country in which the device was installed and set, if present, the Wi-Fi:

PRY-CAM Home found

Model PRY-CAM HOME
 MAC C4:4F:33:60:F9:BD
 Firmware 1.0 - 1.2 - 1.0.10
 SSID PHOME-60F9BD

Add your phone numbers

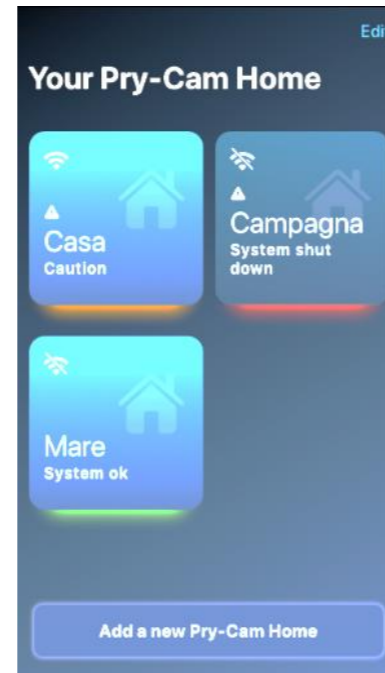
Insert your wi-fi credentials to let the PRY-CAM Home connect to your wi-fi network

Available SSIDs
Rescan Wi-Fi Networks

8. Tap on "Configure" and wait for the device to be configured.

i	Make sure that your smartphone, during the registration phase, switches from the PRY-CAM Home Access Point connection to your Wi-Fi connection or to the cellular network connection.
i	If the configuration is not successful, make sure you have entered the Wi-Fi data correctly and that you have not omitted any data required in the two screens.

9. Once configured, the device will be showed on your dashboard from which you can monitor the system parameters.



SWITCHING TO PROFESSIONAL MODE, RESET AND RESTART

The device is equipped with a single button that allows several different functions based on the duration of its pressure:

- 1 – 4 sec: restart
- >5 sec: switch to Professional mode and activate the Access Point (press until the device LED starts flashing violet)

DEACTIVATION

	DANGER	
Danger of death from electrocution		
Potentially lethal voltages are present in live components.		
<ul style="list-style-type: none"> • Switch off the voltage at the connection point and secure it against reactivation. • Make sure that all conductors to be connected are voltage-free. 		

Disassembly sequence:

- After turning off the system, disconnect all cables connected to the device.
- Remove the device from the DIN rail by lifting the upper tab.

DISPOSAL

Dispose of the device in accordance with local electronic waste disposal regulations.

SUPPORT AND CONTACT

In the event of problems with the App and / or Equipment and for any questions regarding the Service, you can contact the Supplier by writing to:

- Prysman Electronics S.r.l., Via Chiese n. 6, 20126 Milano, Italia; o
- The e-mail references in the contact section of www.prycamhome.com

DOCUMENTATION

Terms and Condition: www.prycamhome.com/TC

Privacy Policy: www.prycamhome.com/Privacy-Policy